

le.Father

YEAR 2025

AUTOMATIC

Automatic buckle mechanism no hole classic leather belts by leFather certainly is a stylish convenience. With the leFather excellence, ratchet mechanism belts have excelled the men's fashion to the ultimate level.

AUTOMATIC

men's



Product #001

MATTE BLACK

Brand : Private Label or leFather

Material : Full grain leather "Calf"

Dimension : 35 MM x 105+>135 CM

Your Pantone Code or



Product #001

POLISHED BLACK

Brand : Private Label or leFather

Material : Full grain leather "Calf"

Dimension : 35 MM x 105+>135 CM

Your Pantone Code or



Product #001

BARK

Brand : Private Label or leFather

Material : Full grain leather "Calf"

Dimension : 35 MM x 105+>135 CM

Your Pantone Code or



AUTOMATIC

men's



Product #001

BROWN

Brand : Private Label or leFather

Material : Full grain leather "Calf"

Dimension : 35 MM x 105+>135 CM

Your Pantone Code or



Product #001

NAVY BLUE

Brand : Private Label or leFather

Material : Full grain leather "Calf"

Dimension : 35 MM x 105+>135 CM

Your Pantone Code or



Product #001

TAN

Brand : Private Label or leFather

Material : Full grain leather "Calf"

Dimension : 35 MM x 105+>135 CM

Your Pantone Code or



AUTOMATIC

men's



Product #002

MATTE BLACK

Brand : Private Label or leFather

Material : Full grain leather "Buffalo"

Dimension : 35 MM x 105+>135 CM

Your Pantone Code or



Product #002

BROWN

Brand : Private Label or leFather

Material : Full grain leather "Buffalo"

Dimension : 35 MM x 105+>135 CM

Your Pantone Code or



Product #002

TAN

Brand : Private Label or leFather

Material : Full grain leather "Buffalo"

Dimension : 35 MM x 105+>135 CM

Your Pantone Code or



BUCKLE

free nickel



Product #AB001

CLASSIC "OPEN CLOSE"

Brand : Private Label "with laser marking"

Material : Free Nickel

Dimension : 35 MM

Color options ✓



Product #AB001

CLASSIC "THE SIDE"

Brand : Private Label "with laser marking"

Material : Free Nickel

Dimension : 35 MM

Color options ✓



Product #AB002

SPORT "THE SIDE"

Brand : Private Label "with laser marking"

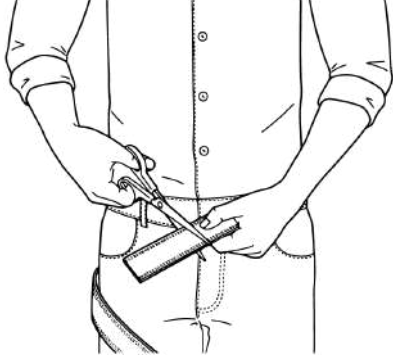
Material : Free Nickel

Dimension : 35 MM

Color options ✓

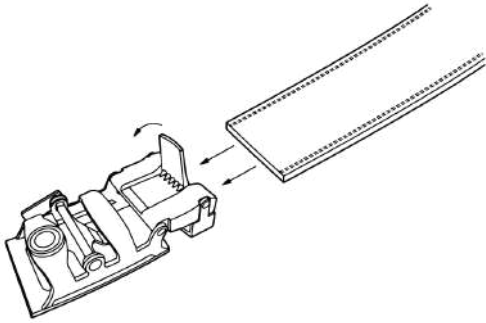


HOW TO DO IT?



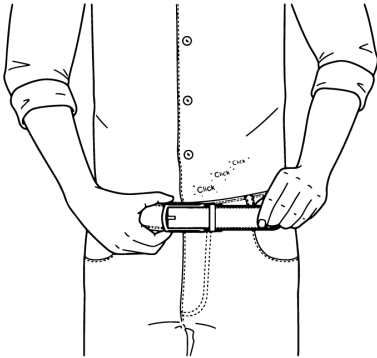
1- MEASURE

Tailor the belt to your size and trim the excess with scissors. Make sure to use a sharp scissors and cut a straight line.



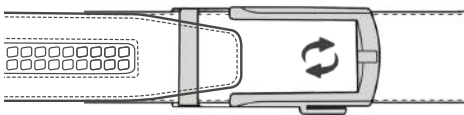
2- INSERT

Manually set the buckle to the strap. Fit the strap to the buckle firmly then lock the clip.



3- TAILOR

Set the belt to your fitting size. The size will stay same unless you adjust the latch again



4- USAGE

You can now comfortably adjust the belt anytime you like easily. Feel free to enjoy a practical usage throughout the day

MEN'S

Timeless classic leather belts designs of ours suits to classic and casual occasions of modern man. Private labelling service of leFather includes the producing collection models listed.

MENS BELT

men's



Product #004

DOUBLE SIDED

Brand : Private Label or leFather

Material : Full grain leather "Calf"

Dimension : 40 MM x 105+>135 CM

Your Pantone Code or



Product #005

CLASSIC

Brand : Private Label or leFather

Material : Full grain leather "Calf"

Dimension : 35 MM x 105+>135 CM

Your Pantone Code or



Product #006

CLASSIC

Brand : Private Label or leFather

Material : Full grain leather "Calf"

Dimension : 35 MM x 105+>135 CM

Your Pantone Code or



MENS BELT

men's



Product #007

SUEDE

Brand : Private Label or leFather

Material : Full grain leather **"Buffalo"**

Dimension : 35 MM x 105+>135 CM

Your Pantone Code or



Product #008

NUBUCK

Brand : Private Label or leFather

Material : Full grain leather **"Buffalo"**

Dimension : 35 MM x 105+>135 CM

Your Pantone Code or



Product #009

KNITTING

Brand : Private Label or leFather

Material : Full grain leather **"Textile & Calf"**

Dimension : 35 MM x 105+>135 CM

Your Pantone Code or



MENS BELT

men's



Product #010

DOUBLE SIDED

Brand : Private Label or leFather

Material : Full grain leather "Calf"

Dimension : 35 MM x 105+>135 CM

Your Pantone Code or



Product #011

DOUBLE SIDED

Brand : Private Label or leFather

Material : Full grain leather "Calf"

Dimension : 35 MM x 105+>135 CM

Your Pantone Code or



Product #012

KNITTING

Brand : Private Label or leFather

Material : Full grain leather

Dimension : 35 MM x 105+>135 CM

Your Pantone Code or



MENS BELT

men's

Product #013



SPORT

Brand : Private Label or leFather

Material : Full grain leather "Buffalo"

Dimension : 35 MM x 105+>135 CM

Your Pantone Code or



Product #014

SUEDE

Brand : Private Label or leFather

Material : Full grain leather "Buffalo"

Dimension : 35 MM x 105+>135 CM

Your Pantone Code or



Product #015

SUEDE

Brand : Private Label or leFather

Material : Full grain leather "Buffalo"

Dimension : 35 MM x 105+>135 CM

Your Pantone Code or



WOMEN'S

leFather is proud to offer only stylish leather belts models for women who look for elegance besides the feeling of wearing one of a kind.

women's

WOMENS BELT



Product #W001

CLASSIC

Brand : Private Label or leFather

Material : Full grain leather

Dimension : 35 MM x 75+>115 CM

Your Pantone Code or



Product #W002

SUIT

Brand : Private Label or leFather

Material : Full grain leather

Dimension : 75+>115 CM

Your Pantone Code or



Product #W003

SPORT

Brand : Private Label or leFather

Material : Full grain leather

Dimension : 30 MM x 75+>115 CM

Your Pantone Code or



women's

WOMENSBELT

Product #W004



SPORT

Brand : Private Label or leFather

Material : Full grain leather

Dimension : 40 MM x 75+>115 CM

Your Pantone Code or



Product #W005

SUIT

Brand : Private Label or leFather

Material : Full grain leather

Dimension : 35 MM x 75+>115 CM

Your Pantone Code or



Product #W006

CLASSIC

Brand : Private Label or leFather

Material : Full grain leather

Dimension : 35 MM x 75+>115 CM

Your Pantone Code or



Office

Yeşilköy Mah. Atatürk Cad. EGS Business Park.
B2 Blok, 12/1. 34149 Bakırköy
İstanbul/Türkiye

Contact

+90 532 673 3953 (EN)
export@lefather.com
www.lefather.com

leFather

[LinkedIn](#) [YouTube](#) [facebook](#) [Instagram](#) [Pinterest](#)